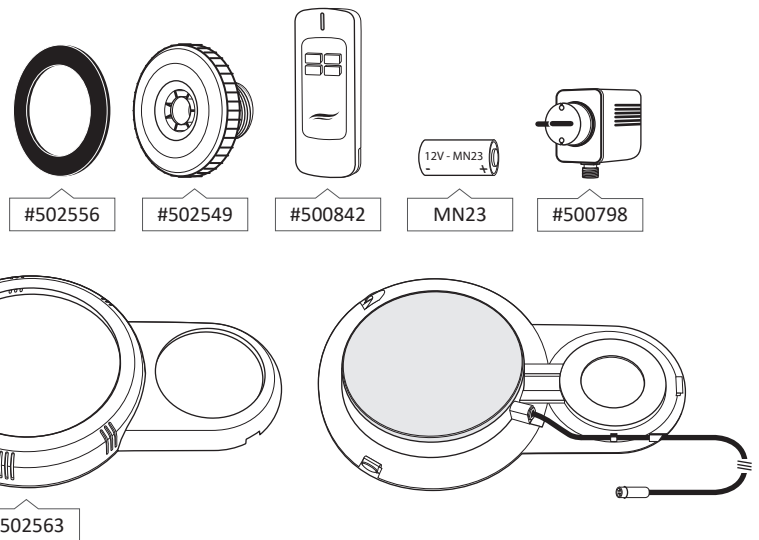


LED PROJECTOR KIT FOR ABOVE GROUND POOL – COLOR LIGHTING

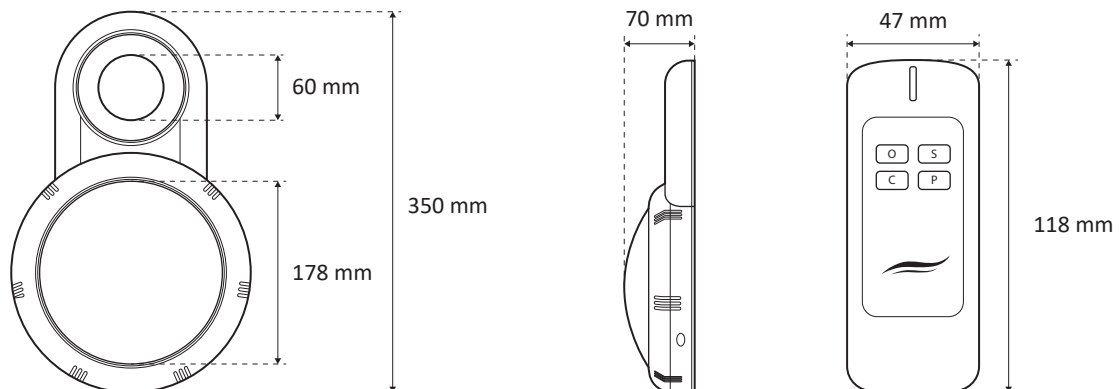


Model : **500699**
 Type : 36 LED 2835 / 120°
 Color : 12R, 12G, 12B
 Control : On/Off and 433Mhz radio remote
 Functions : 7 static colors and 3 programs
 Material : Fixture and lens in polycarbonate (PC), cover in ASA
 Fixing on 1,5'' outlet fitting
 ~230V/~12V – 20VA plug transformer
 6m HO5RNF cable 2x1mm²
 HS code : 9405403990
 Bar code : 3700450500699

CONTENTS OF THE PACKAGING



DIMENSIONS



PACKING

Part Number	Box	Weight	Size	Carton	Weight	Size	Pallet	Weight	Size
500699	1U	2,4kg	38x38x9,5cm	6U	14,9kg	59x40x40cm	150U	382kg	100x120x220cm

PHOTOMETRY

Ra (IRC) : N/A

Beam angle : 120°

Nominal luminous flux : 320 lumens max.

Extractable light source : PHSRGB-LED

Light source energy class : N/A

This swimming pool luminaire contains an extractable LED light source with color change not concerned by the EU2019/2015 and 2019/2020 regulations.

ELECTRICAL PARAMETERS

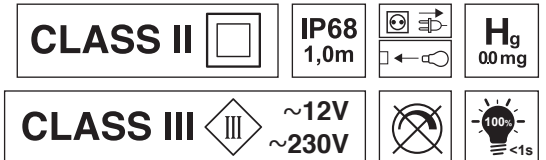
Instant power max : 10W

Input voltage : ~12V(AC) 50/60Hz

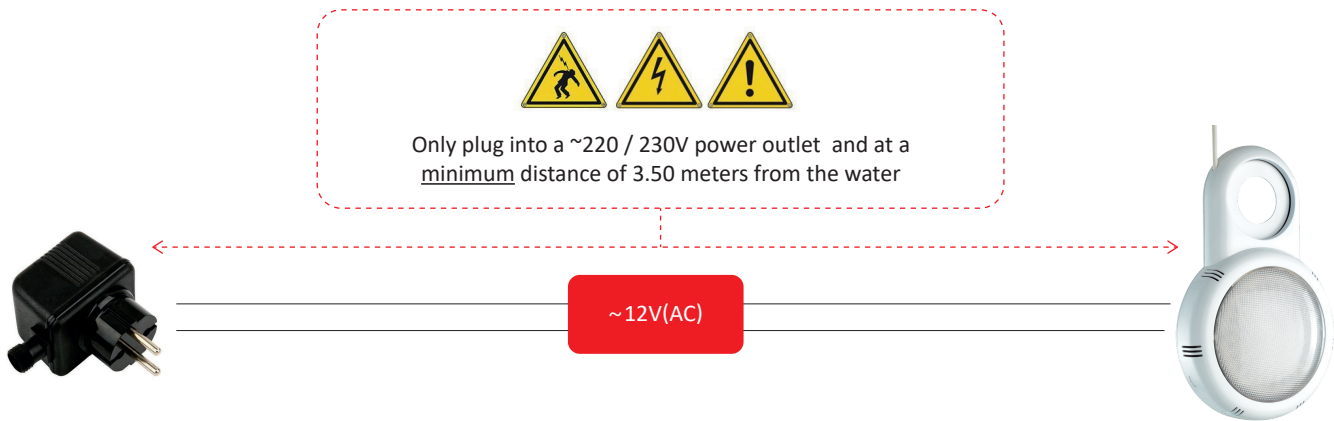
PF max : 0,72

Mini power supply with ~12V(AC) [(Pi /PF)+20%] : 17VA

Electric class : III



CONNECTION



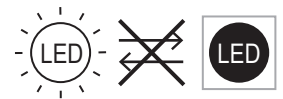
OTHER PARAMETERS

Protection index : IP68

LED life span : 15 000h

On/Off cycles : > 100 000

Use : This pool light is designed for use in permanent immersion in water with a IP68 waterproof rating. The spin welding assembly process of the optical part with its support, does not allow its reparability. The light source is not replaceable and in case of failure, it is necessary change all the luminaire.



CERTIFICATION

EMC 2014/30/EU Directive.

LVD 2014/35/EU Directive.

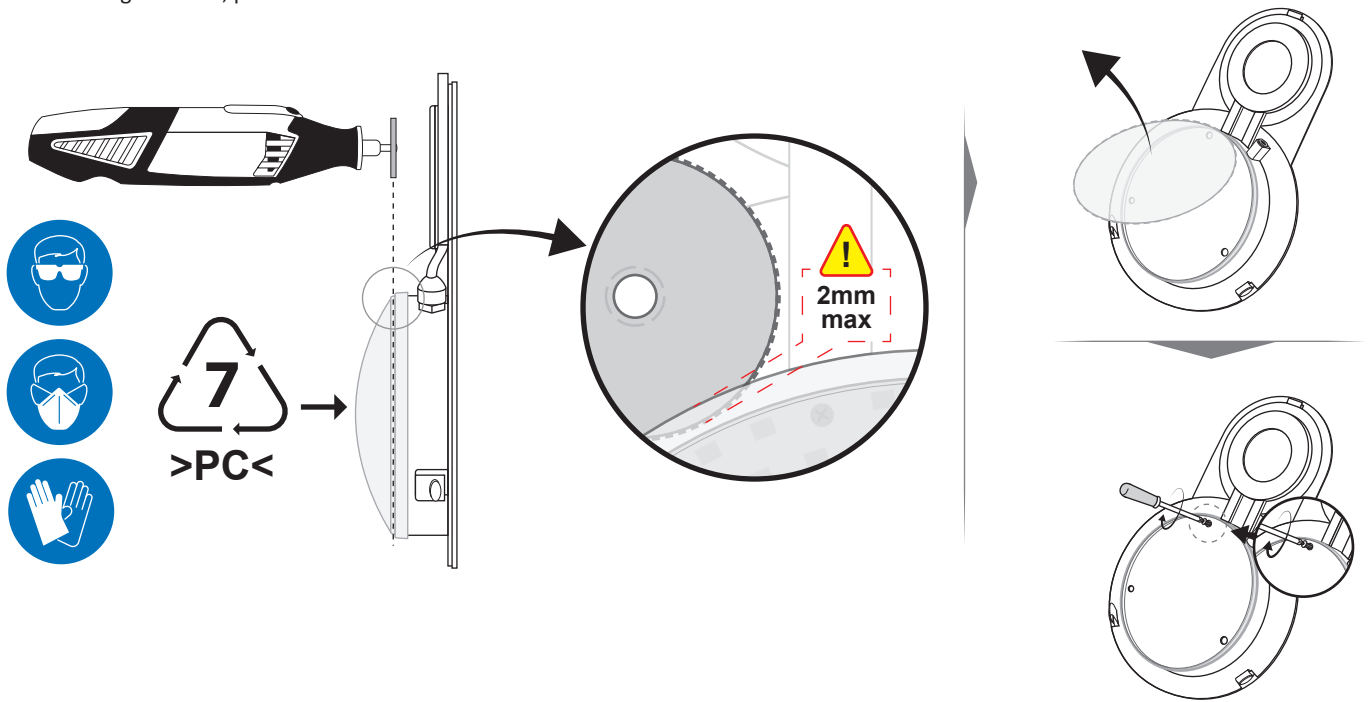
Radio RED 2014/53/EU Directive.

EN60598-1 / EN60598-2-18 Norm in all its modifications.

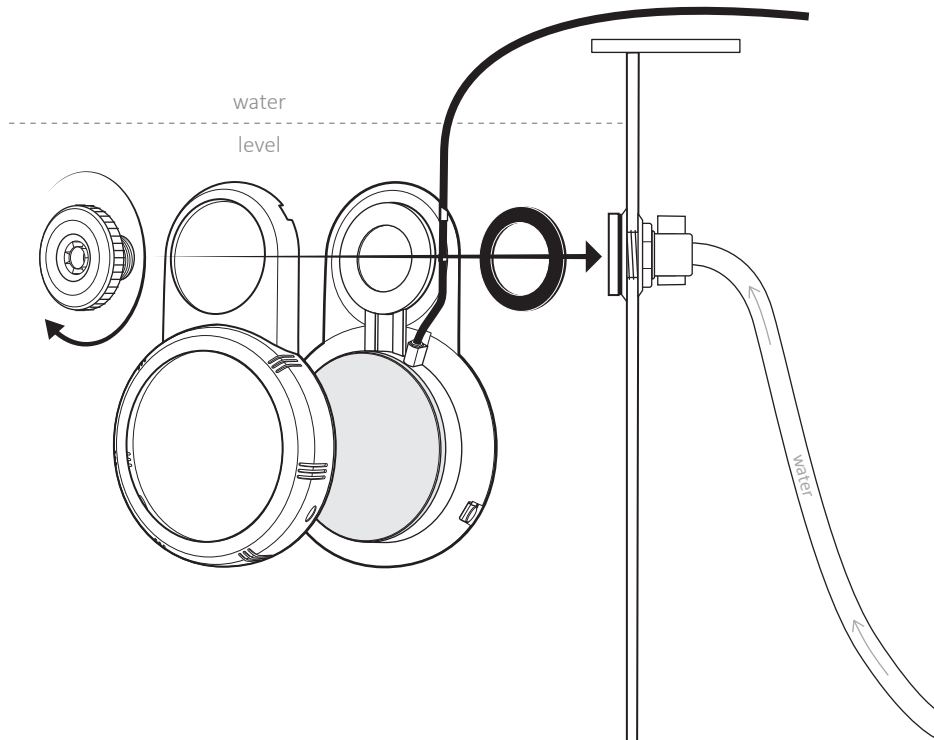


VARIOUS

To extract the light source, please follow the instructions below :



PRINCIPLE OF INSTALLATION



For more information, see the product leaflet