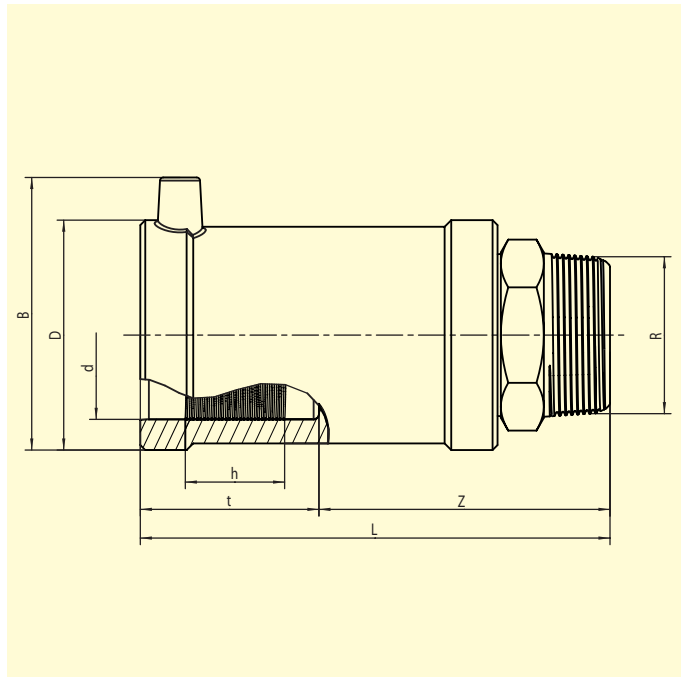


FRIALEN® Transition Fittings HD-PE/Brass with male thread MUN



PE 100 SDR 11

Maximum working pressure 16 bar (water)



d	R	Order Ref.	Stock-status	BX	PU	D	L	t	z	h	B	Weight kg/each
20	1/2"	612710	1	40	3600	35	91	33	58	15	-	0,120
25	3/4"	612711	1	30	2700	40	99	36,5	63	19.5	-	0,210
32	1"	612712	1	20	1800	47	112	42	70	23.5	61	0,300
32	1 1/4"	612709	1	20	1800	47	120	42	70	23.5	61	0,360
32	1 1/2"	612698	1	15	1350	47	121	42	70	23.5	61	0,380
40	1"	612721	1	20	1000	58	123	45,5	75	30	69.5	0,480
40	1 1/4"	612713	1	20	1000	58	126	45,5	77	30	69.5	0,460
40	1 1/2"	612718	1	20	1000	58	127	45,5	78	30	69.5	0,520
40	2"	612725	1	20	1000	58	132	45,5	86	30	69.5	0,750
50	1"	612719	1	15	750	70	134	53	81	29.8	80	0,580
50	1 1/4"	612716	1	15	750	70	136	53	83	29.8	80	0,610
50	1 1/2"	612714	1	15	750	70	137	53	84	29.8	80	0,590
50	2"	612706	1	15	750	70	147	53	94	29.8	80	0,800
63	1 1/4"	612722	1	10	500	84	138	53	84	35	93.5	0,910
63	1 1/2"	612717	1	10	500	84	137	53	84	35	93.5	0,940
63	2"	612715	1	10	500	84	142	53	89	35	93.5	0,940
75	2"	612694	1	10	320	98	165	61	104	37.5	-	1,470
75	2 1/2"	612695	1	10	320	98	167	61	106	37.5	-	1,490

Other thread sizes on request

FRIALEN safety fittings can be fused to pipes SDR11 - SDR 17.6, minimum wall thickness $s_{min} \geq 3$ mm. Other SDR-stages on request. Please observe the marking directly at the product, which is mandatory.
DVGW-Registration Nos. DV-7501AU2256 and DV-7501AU2257

Please turn over for important information regarding application of our products.

FRIALEN® Transition Fittings HD-PE/Brass with male thread MUN

Areas of Application

FRIALEN-Transition Fittings MUN are threaded joints as an adaptor from a metal pipe with internal thread to a HDPE pipe. Joint on the part of HDPE by FRIALEN-Coupler.

Assembly Instructions

The threaded component must be held with a spanner to prevent it twisting in the HDPE component. The fusion of the HDPE side takes place by FRIALEN-fusing – leakproof and longitudinally strong.

The installation of the brass and the HDPE side has to be prepared according to the general installation instructions (see "Transition Fittings with threaded connection" in "Assembly Instructions" for "FRIALEN-Safety Fittings for house connections and distribution pipes up to d 225"). This involves removing the oxide skin and cleaning the pipe ends.

Eight good reasons for using the FRIALEN-Transition Fittings MUN:

- **Compact construction**
- **HDPE side with exposed heating element for optimal heat transfer**
- **Cold zones at the end to prevent the flow of molten material**
- **No holding clamps required**
- **Large insertion depth, extra wide fusion zones**
- **Brass end permanently anchored in the HDPE and will not distort**
- **Self sealing patented sealing geometry without elastomer seal**
- **Additional barcode for tracing back the fitting (Traceability-Coding)**

For further information, please call our customer service staff and specialist advisers.

FRIATEC Aktiengesellschaft · Technical Plastics Division
P.O.B. 71 02 61 · D-68222 Mannheim
Telephone +49 621 486-1431 · Telefax +49 621 479196
www.friatec.com · E-Mail: info-frialen@friatec.de

Please find our datasheets for downloading on the internet at www.friatec.com